

G

F

E

D

C

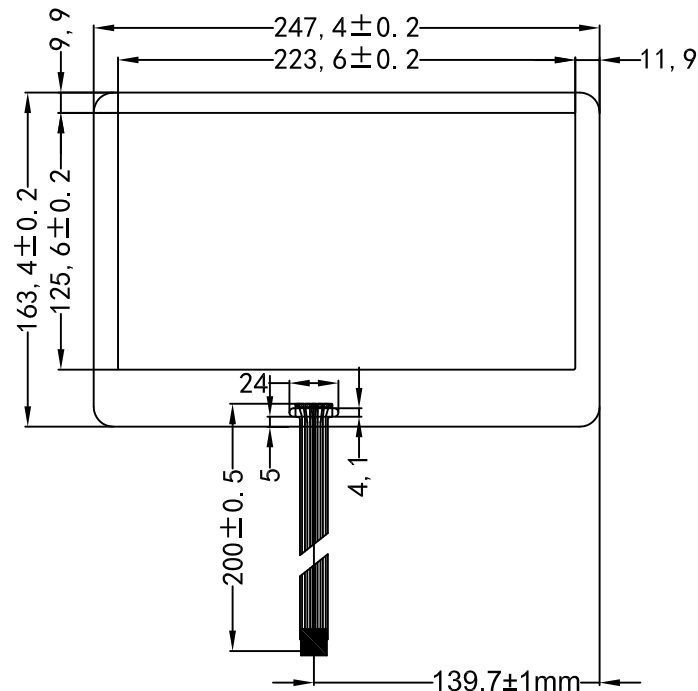
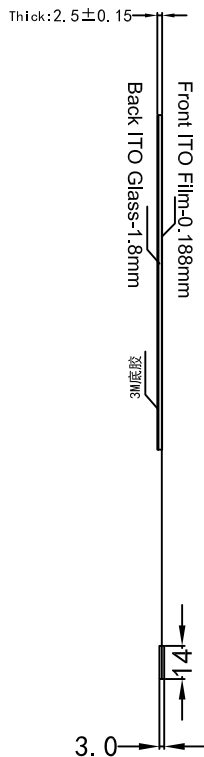
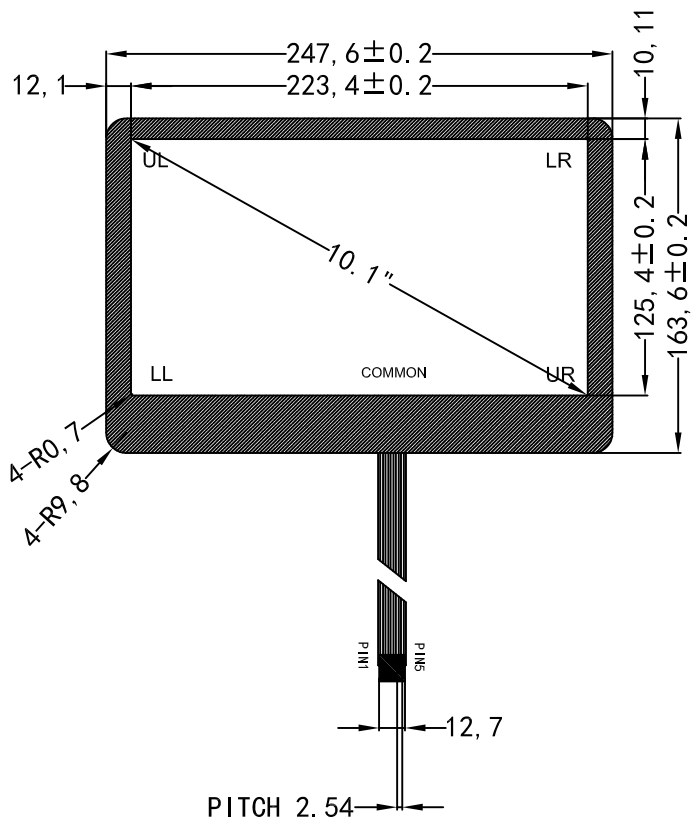
B

A

FRONT VIEW

The strakes

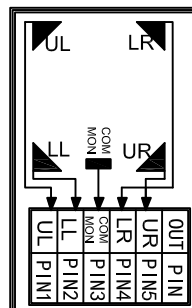
Back view



Notes:

- 1.Type:Film to Glass
- 2.Operating Voltage:≤10v
- 3.Operation Temperature:-20°C~65°C
Storage Temperature:-30°C~70°C
- 4.Life Time:1,000,000 times
- 5.Connect Material:FPC
- 6.Response Time:≤10ms
- 7.Linearity:≤1.5%
- 8.Transmittance:≥75%
- 9.Surface Hardness≥3H(pencil)
- 10.Operation force:60g~150g

- 11.Resistance:50Ω < PIN1,PIN2 < 250Ω
50Ω < PIN2,PIN4 < 250Ω
50Ω < PIN4,PIN5 < 250Ω
50Ω < PIN5,PIN1 < 250Ω



TOLERANCES
(UNLESS OTHERWISE STATED)
DECIMALS ANGLES ±0.5%

>2000MM	±2.00MM
1600< X ≤2000MM	±1.20MM
1200< X ≤1600MM	±0.80MM
800< X ≤1200MM	±0.50MM
400< X ≤800MM	±0.40MM
120< X ≤400MM	±0.30MM
30< X ≤120MM	±0.20MM
<30MM	±0.10MM

Model No.:		Size	10.1"	Ratio	16:9
Structure	G+F	Unit	mm	Scale	1:1
Design	李俊	Date	2016.9.1	Page	1/1
Check	刘作书	Date	2016.9.1	Version	A0
Release	汪燕	Date	2016.9.1		

G

F

E

D

C

B

A